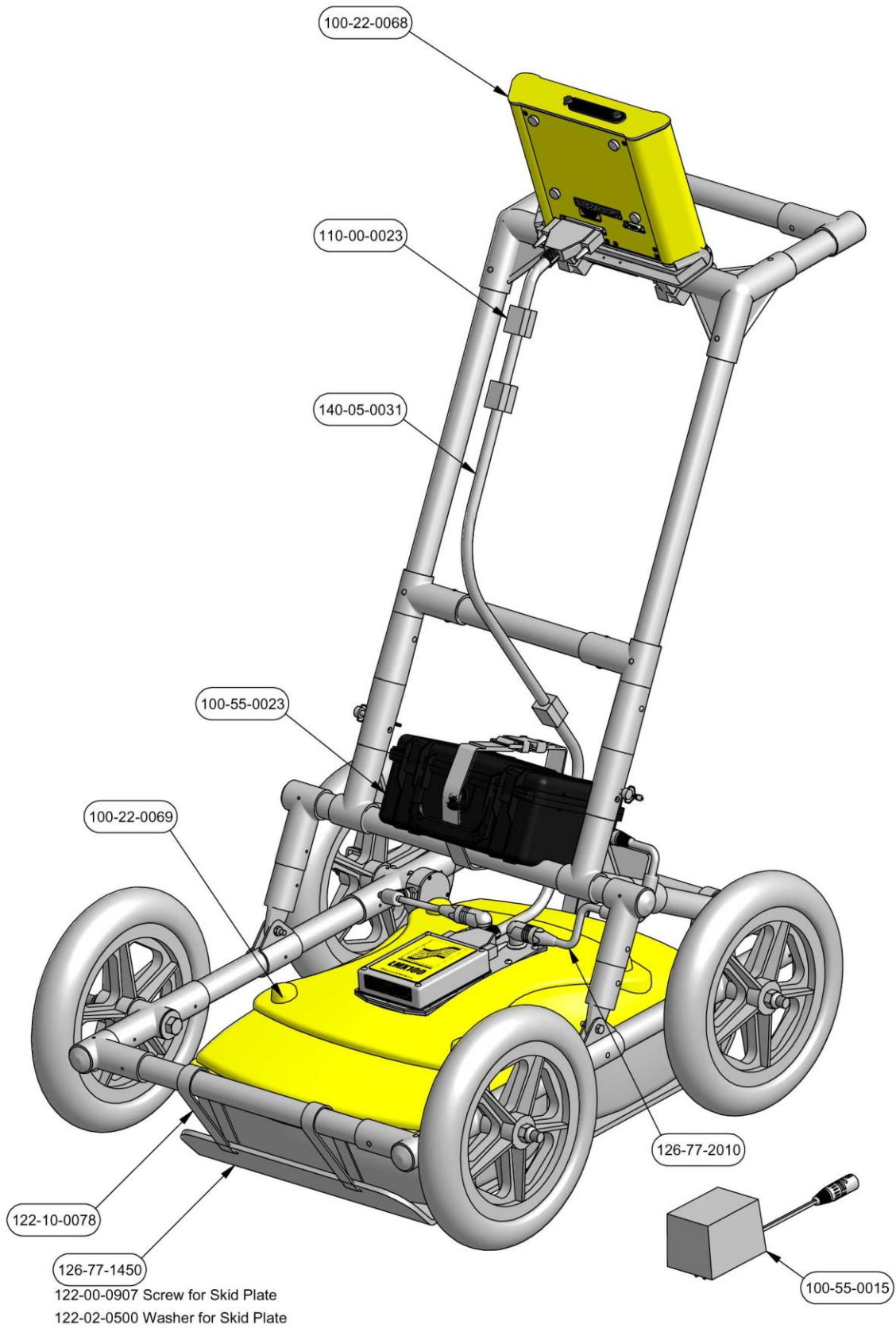




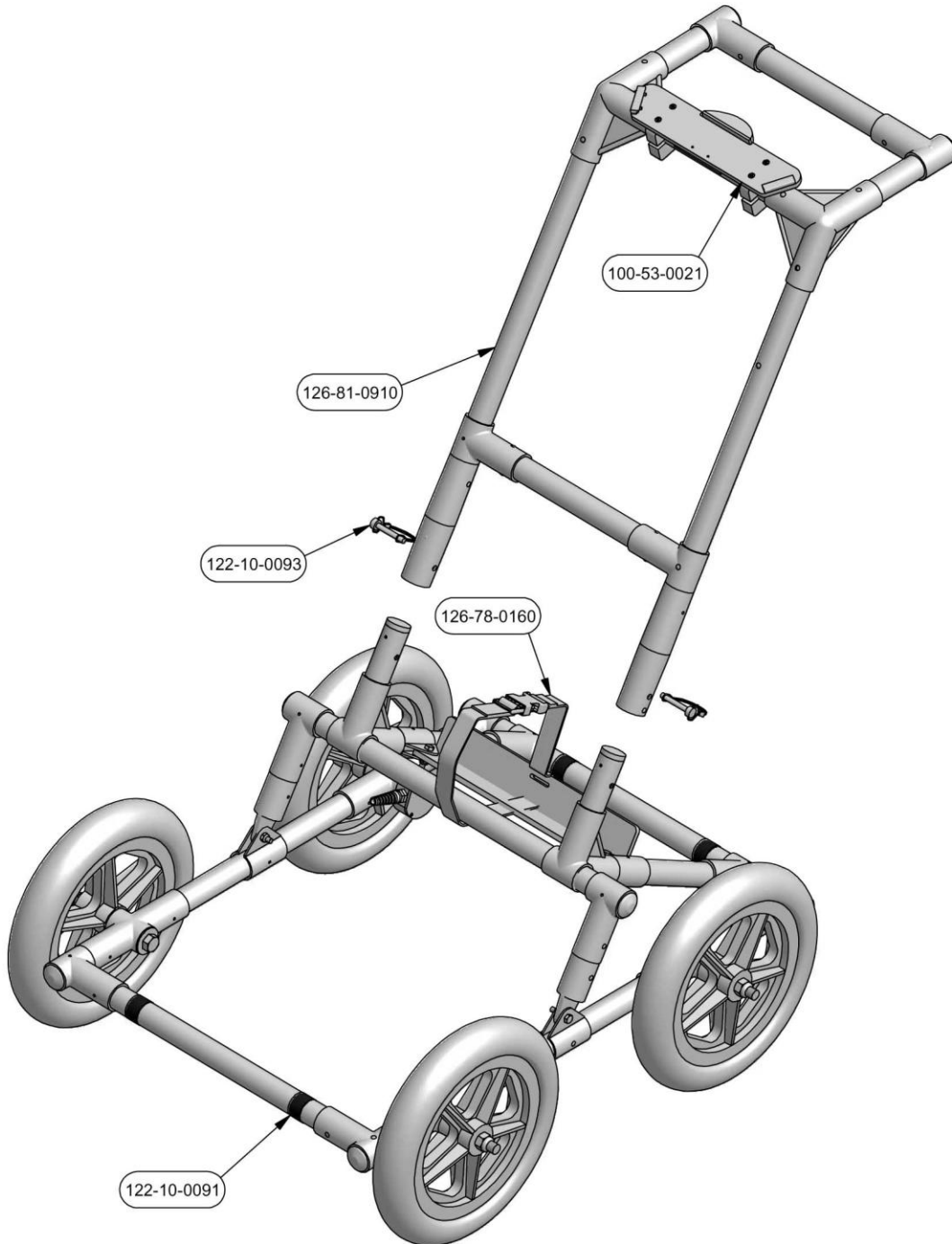
## LMX100 Parts Catalogue

LMX100 PARTS LIST		
Item	Item Code	Description
1	100-22-0068	LMX100 Display
2	100-22-0069	LMX100 Sensor
3	100-53-0021	Tray Assembly
4	100-55-0015	Power Source Charger
5	100-55-0023	Power Source with Case
6	110-00-0023	Ferrite Cable Split Steward
7	122-00-0068	Hex Socket Cap Screw
8	122-00-0604	Screw 6-32
9	122-00-0907	Screw for Skid Plate
10	122-00-2063	Bolt for Battery Tray
11	122-01-0218	Hex Locknut Nylon Insert
12	122-01-0301	Lock-Nut for Battery Tray
13	122-02-0087	Washer Flat
14	122-02-0500	Washer for Skid Plate
15	122-10-0078	Velcro, Double Sided (13")
16	122-10-0091	3/4 In Black Loop Only (3.75")
17	122-10-0093	Safety Locking Pins
18	122-10-0095	Bronze Flanged Sleeve Bearings
19	122-10-0503	Dowel Pin
20	122-10-2376	Tire
21	126-77-1450	Moulded Skid Plate
22	126-77-1460	Wheel Bushing
23	126-77-1490	Odometer Insert
24	126-77-1530	Odometer Bolt
25	126-77-1540	Odometer Hub Lock
26	126-77-1950	Odometer Assembly
27	126-77-2010	Power Cable
28	126-78-0160	Battery Strap
29	126-81-0910	Cart Handle Assembly
30	126-81-0930	Battery Tray
31	126-81-1600	Cart Wheel Frame Assembly (with Battery Tray)
32	140-05-0031	Data Cable

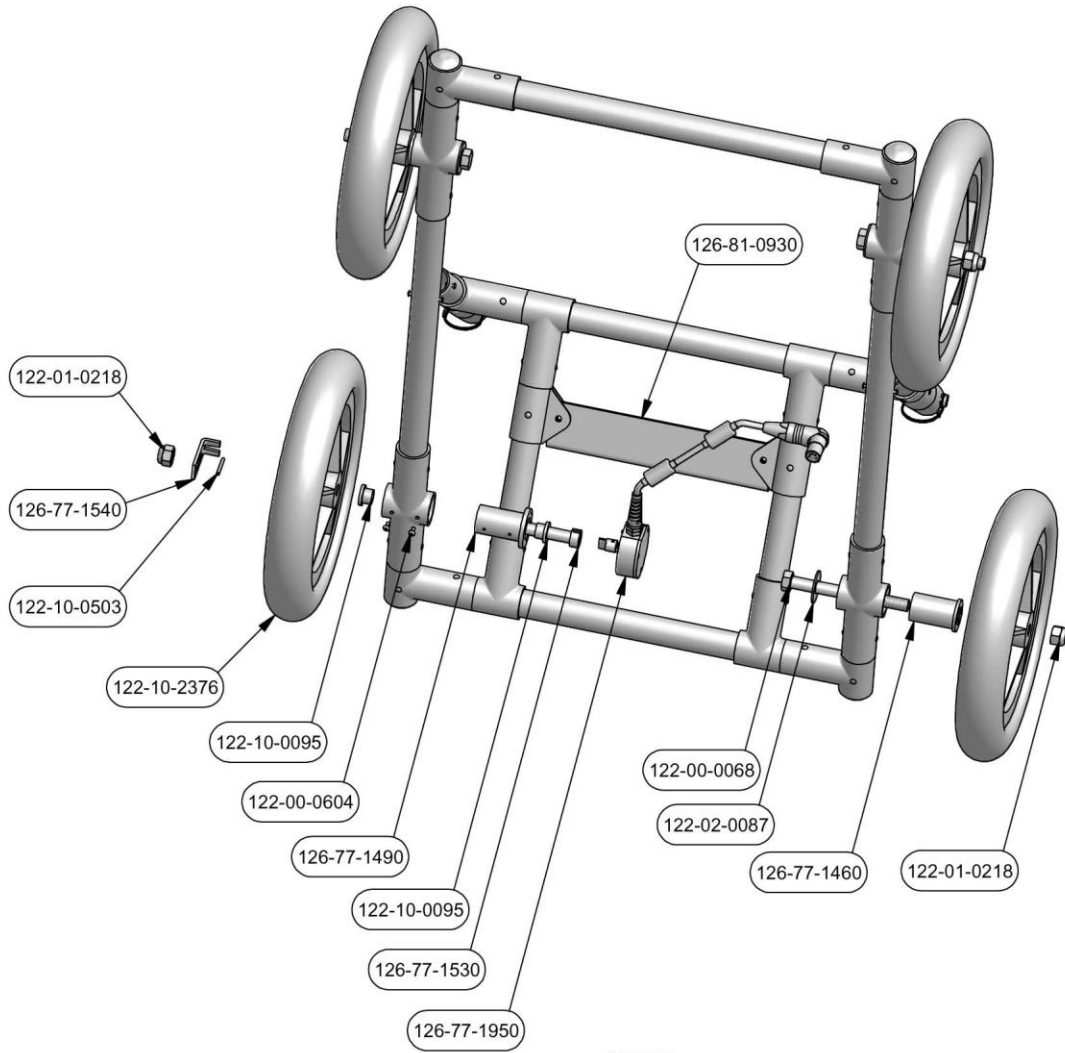
## LMX 100 – Main Parts



## LMX 100 – Handle Assembly



## LMX 100 – Wheel and Odometer Assembly



**NOTE:**

Use cutting fluid when installing lock-nuts to prevent binding.

## LMX 100 – Support Frame

